

X-ray cabinet designed for large parts inspection

Dxbox-U6



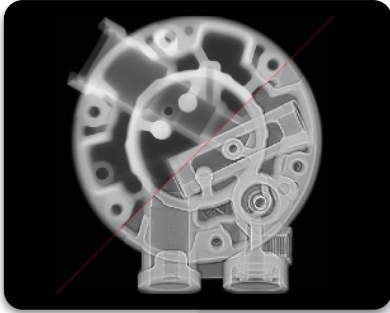
[Website](#)

APPLICATIONS

- ▶ Innovative system dedicated to large parts inspection from 225 to 450 kV.
- ▶ Suitable for various applications: casting (aerospace and automotive) parts, art pieces (statues), security (shells),...



KEY FEATURES



U-arm

The system is equipped with a 2-axis U-arm carrying the generator, motorized collimator and flat panel. The part dimensions can measure up to **200 cm (79 inches)** in height.



Rotary table

Dxbox-U6 also features a 3-axis rotary table for part manipulation which can support up to **500 kg (1100 lbs)**.



Efficiency

The motorized door can be split into two sections which allows the part to be loaded from the top of the cabinet.



User-friendly

The HMI display next to the door provides a live 3D view allowing the operator to easily control the axes as well as visualize and adjust their position.

C 1 mm
35Fe mm
ANY THICKNESS


SMART & INNOVATIVE

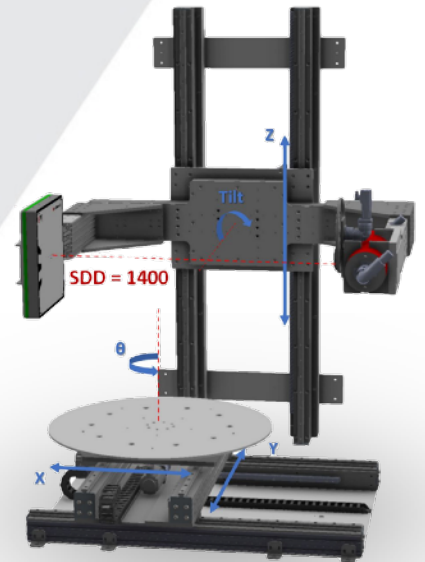

FULLY INTEGRATED


USER-FRIENDLY


SAFE & ERGONOMIC

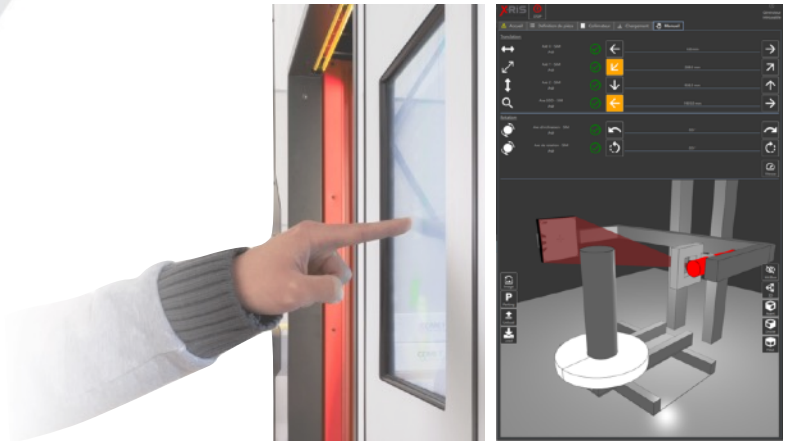
Dxbox-U6 SPECIFICATIONS

X-ray generator	Up to 450 kV - Up to 0.4 to 1.2 mm
Flat panel detector	Up to 43 x 43 cm Up to 17 x 17 inches
Detector - Pixel size	50 to 200 μ m
Number of axes	6 axes U-arm (2) - Part manipulation (3) - Variable & motorized SDD (1)
Rotative table	\varnothing 90 cm 35 inches
Angles	-45° to +90° (vertical shot)
SDD	140 cm 55 inches
Max. part diameter	\varnothing 90 cm 35 inches
Max. part height	200 cm 79 inches
Max. part weight	500 kg 1100 lbs
Max. thickness	4.5 cm 1.8 inches steel
System dimensions	360 x 240 x 340 cm 142 x 94 x 134 inches
System weight	12 tons 13 U.S tons



Maestro SOFTWARE

- ▶ All **Maestro** features included
- ▶ Touch screen (load-unload) + manual control
- ▶ 3D Real Time feed-back visualization
- ▶ Anti-collision software capabilities
- ▶ Full automatic inspection based on the part number



Dxbox-U6 OPTIONS

- ▶ Collimator with/without filters
- ▶ Radio-transparent turntable

340 cm - 134 inches

